

OBO Pro.2 PB4 Anechoic Chamber

Introduction :

This chamber provides a reliable and stable acoustic test environment for speakers and microphones components, earphones, Mobile-phone, tablet, smart speaker box, etc. It also provides I/O control port to automate control box opening/closing and microphone sealing test.



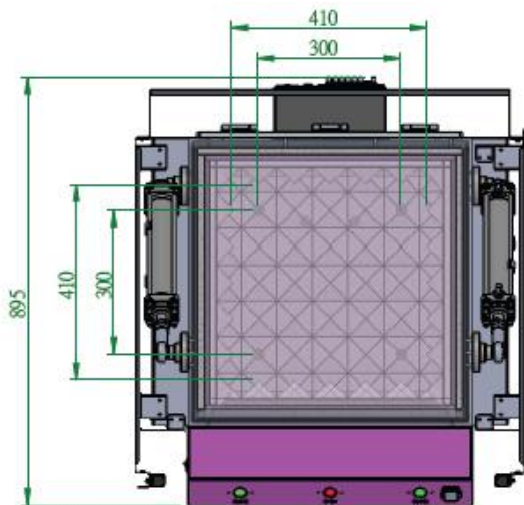
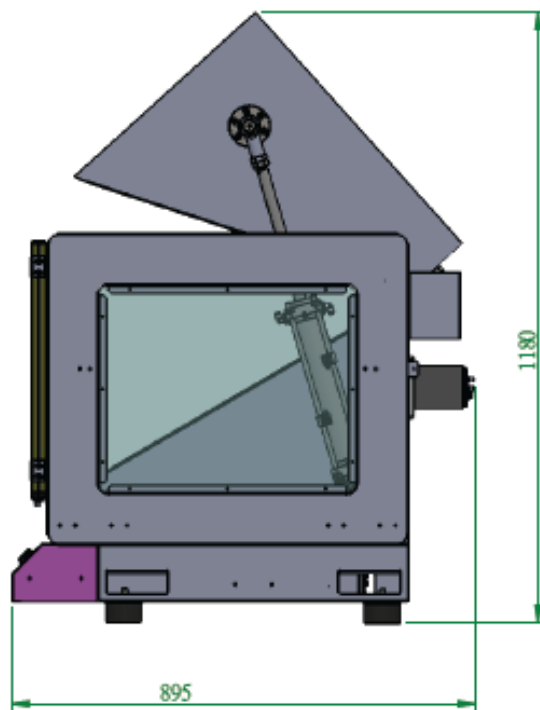
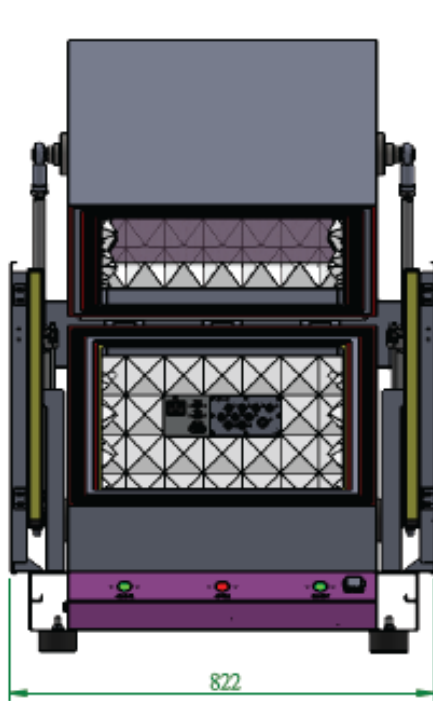
Chamber Features :

- High isolation against background noise.
- Uniform sound field across the measurement plane.
- Sound Isolation Ability : >40 dB (A-Weighting) SPL ref. 20u Pa.
- Customization Fixture

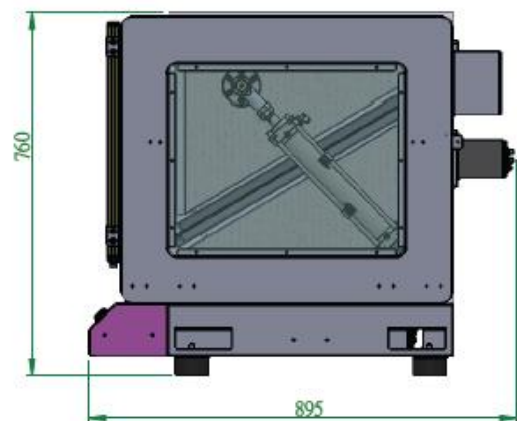
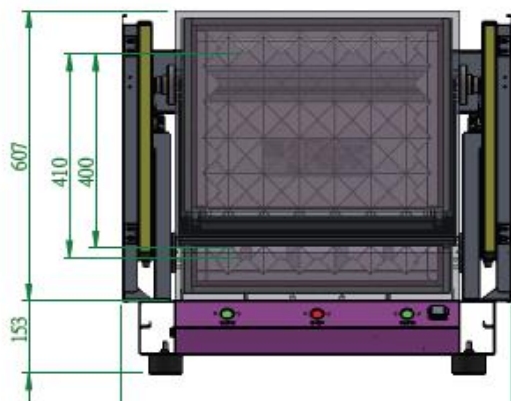
Specification :

Outside Dimension : (without rick)	Closing: D:895 mm * W:822 mm * H:760 mm Opening: D:895 mm * W:822 mm * H:1180 mm
Inside Dimension :	D:410 mm * W:410 mm * H:410 mm
Net Weight :	~ 150 Kg
Construction :	Aluminum
Power Request :	100-240V, 50/60Hz, 2A
Sound Isolation Ability :	>40dB(A-Weighting) SPL ref. 20uPa
Operation :	Air Cylinder Automatic Control

Dimension :

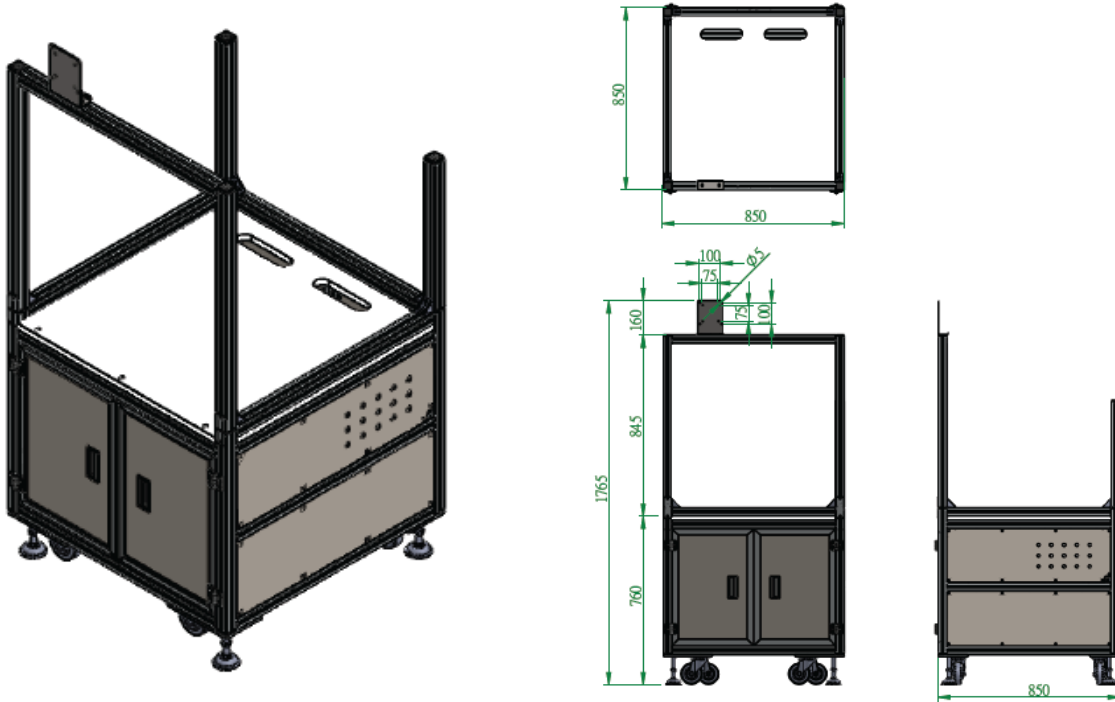


Inside size :
410 x 410 x 410 mm



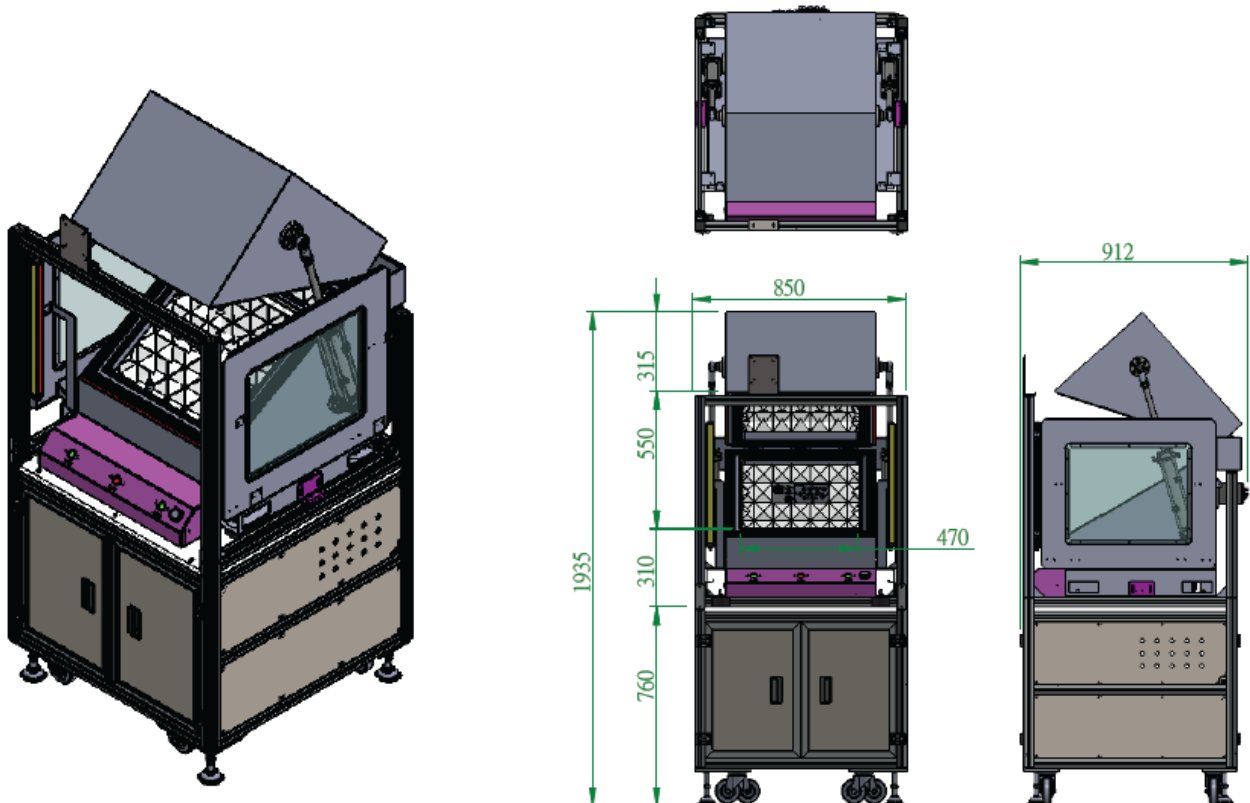
Rack :

D: 850 mm * W: 850 mm * H: 1765 mm



Chamber(open) & Interface & Rack :

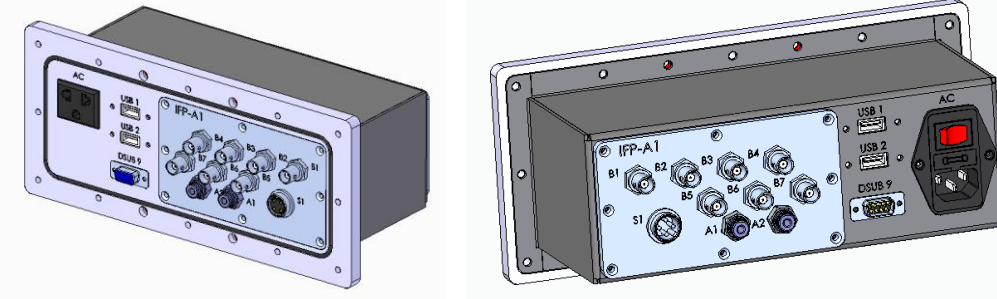
D: 912 mm * W: 850 mm * H: 1935 mm



Interface :

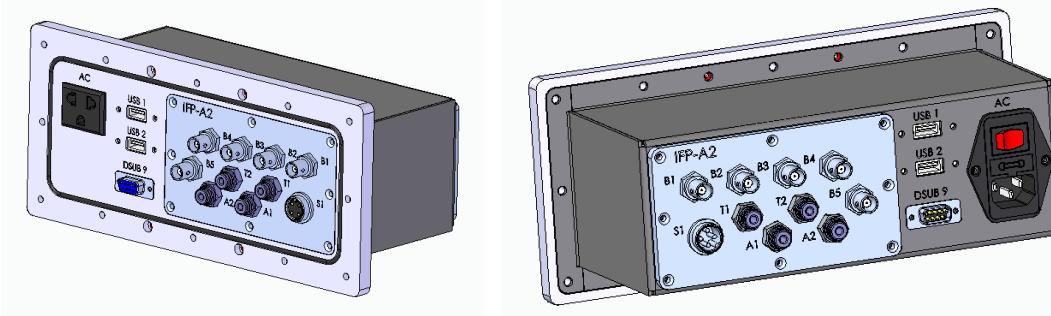
- IFP-A1

AC*1 / USB 2.0*2 / DSUB 9*1 / BNC*7 / Air-4.0*2 / PLT-16 4pin*1



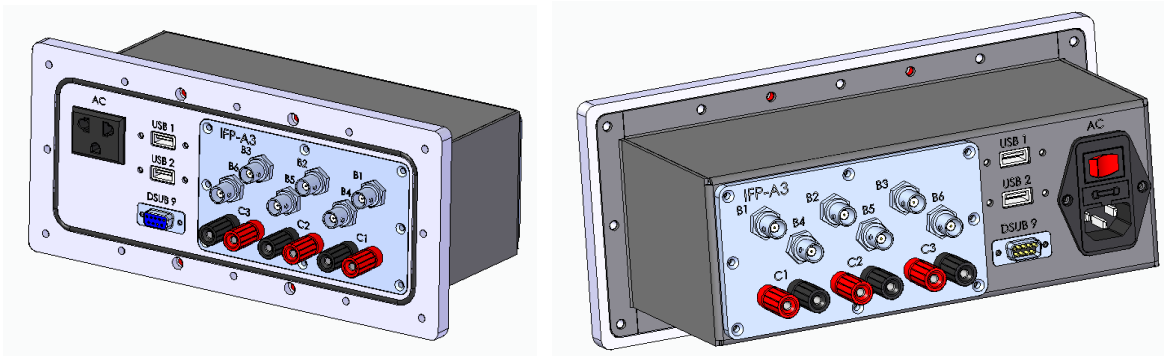
- IFP-A2

AC*1 / USB 2.0*2 / DSUB 9*1 / BNC*5 / Air-4.0*4 / PLT-16 4pin*1



- IFP-A3

AC*1 / USB 2.0*2 / DSUB 9*1 / BNC*6 / 博士端子*6



Test and Measurements Report

測量報告

Report No.

Page

報告編號 : **ACB-170801-01A**

頁次 : **2 of 4**

1. Purpose: Measure the chamber specification

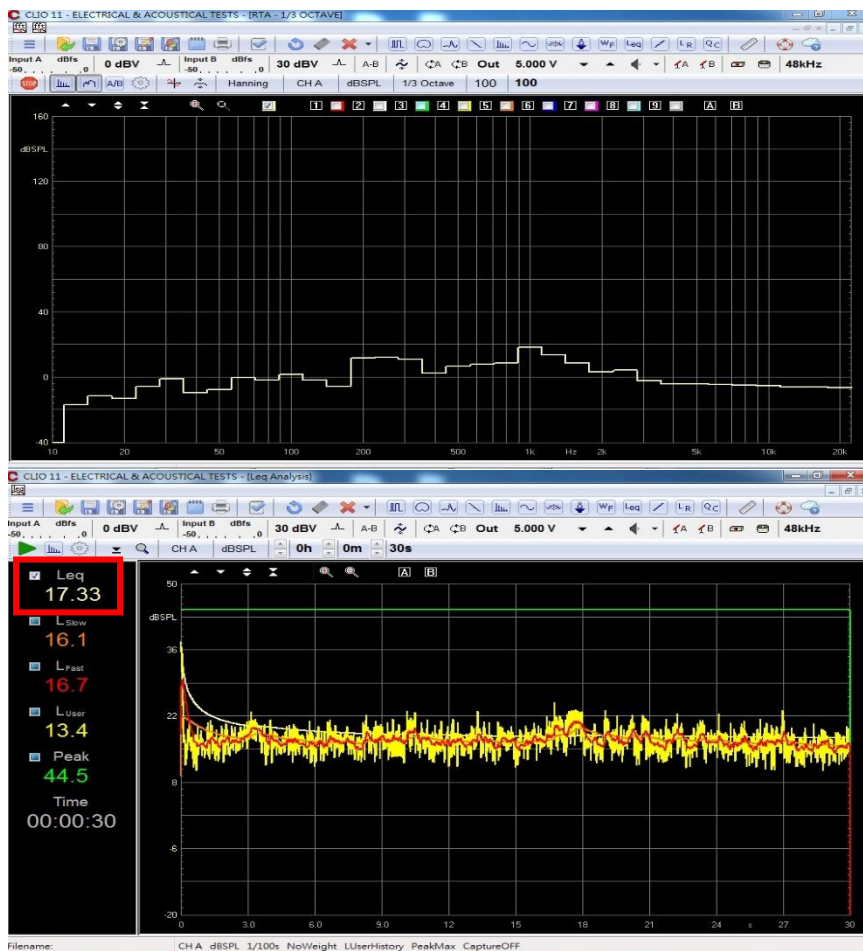
2. Specification:

2.1 Background Noise(Ouside ≤50 dBA)	≈20 dBA
2.2 Acoustical Isolation Ability	≥40 dBA
2.3 Chamber Outside Size	D:89.5cm * W:82.2cm * H:70.6cm
2.4 Chamber Inside Size	D:41cm * W:41cm * H:41cm

3. Measurement Item:

3.1 (1)Anechoic Chamber Inside Noise dB(SPL) re. 20uPa, (A-weighting)

≥ **17.33** dBSPL(A-weighting)



Test and Measurements Report

測量報告

Report No.

Page

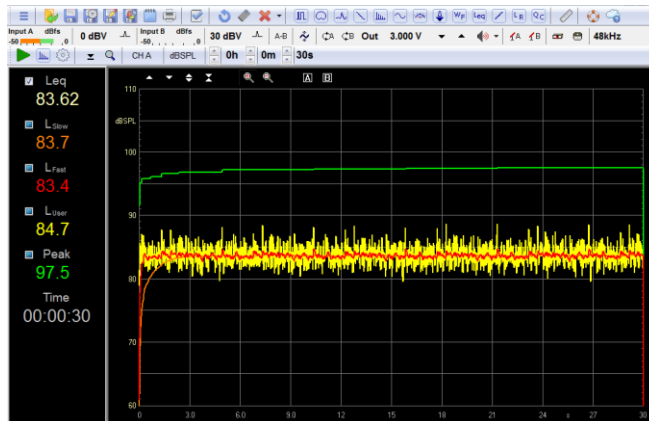
報告編號 : **ACB-171229-02A**

頁次 : **3 of 4**

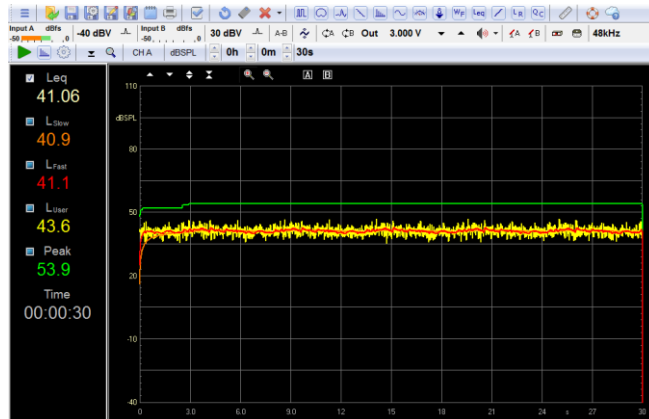
3.2 Acoustical Isolation Ability

$$83.62 \text{ dB} - 41.06 \text{ dBA} = 42.56 \text{ dBA} \geq 40 \text{ dBA}$$

A. Reference Sound Source Pink Noise Spectrum Level **83.62 dB**



B. Close Door Inside Background Noise Level **41.06 dBA**



C. 1/3 Octave pure tone isolation ability

