

## OBO Pro.2 Noise Tank

### Introduction :

This tank design for microphone noise measurement. The tank bottom and cover are one shape. It can get the good background noise and high sound isolation.



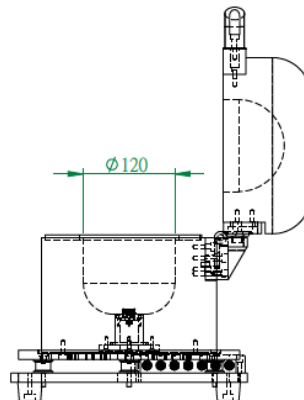
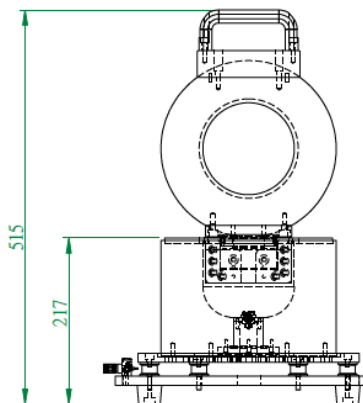
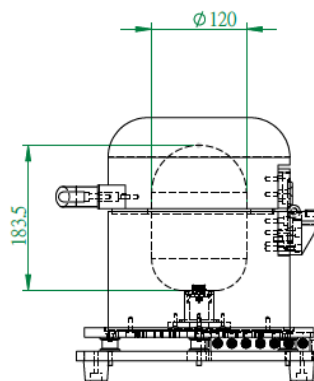
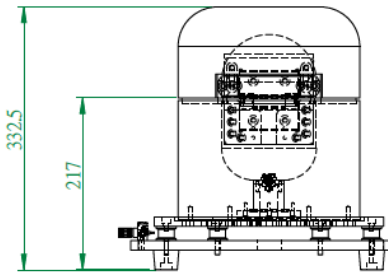
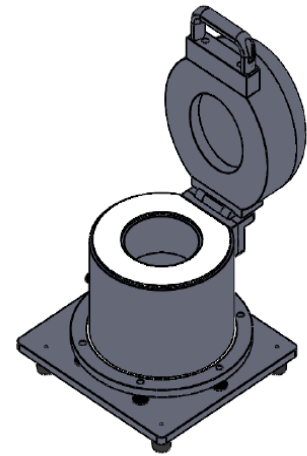
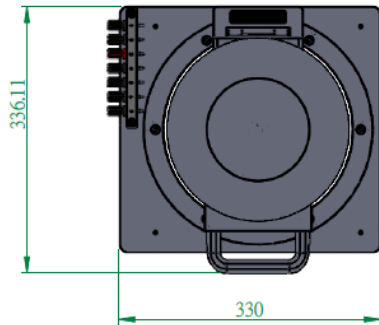
### Features :

- High environment sound isolation.
- Low background noise
- Sound Isolation ability >50 dB (A-Weighting) SPL ref. 20u Pa.
- Background noise values  $\approx$  10 dB (A-Weighting) SPL ref. 20u Pa.
- Single and simple 6 pins connector interface for microphone jig

### Specification :

Outside Dimension :	D:336mm * W:330mm * H:332mm
Inside Dimension :	$\Phi$ :120mm * H:183mm
Net Weight :	$\sim$ 80 Kg
Construction :	Iron
Sound Isolation Ability :	> 50dB(A-Weighting) SPL ref. 20uPa
Background Noise : (Outside < 50 dBA)	$\approx$ 10 dB (A-Weighting) SPL ref. 20u Pa

## Dimension :



# Test and Measurements Report

## 測量報告

Report No.

Page

報告編號 : **ACB-171229-01A**

頁次 : **2 of 4**

1. Purpose: Measure the chamber specification

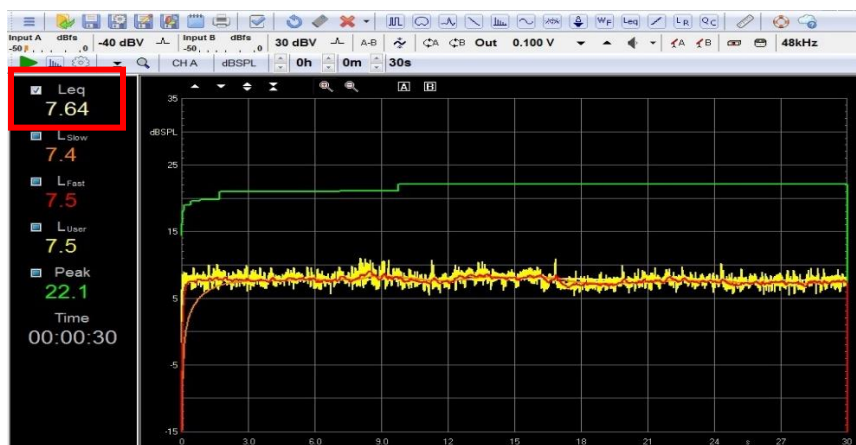
2. Specification:

2.1 Background Noise(Outside <50 dBA)	≈ 10 dBA
2.2 Acoustical Isolation Ability	>50 dBA
2.3 Chamber Outside Size	D:336mm * W:330mm * H:332mm
2.4 Chamber Inside Size	Φ:120mm * H:183mm

3. Measurement Item:

3.1 (1)Anechoic Chamber Inside Noise dB(SPL) re. 20uPa, (A-weighting)

≥7.64 dBSPL(A-weighting)



# Test and Measurements Report

## 測量報告

Report No.

Page

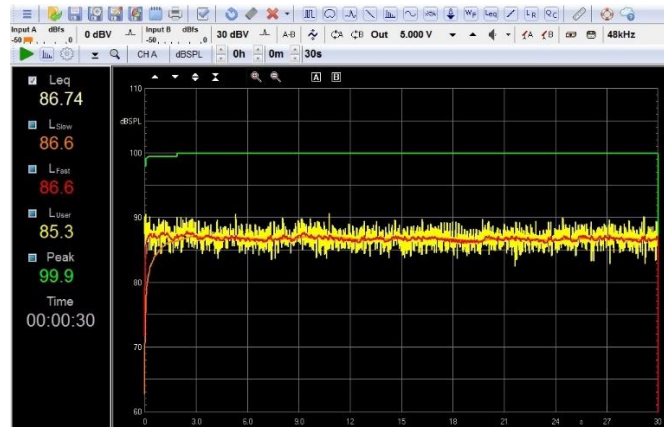
報告編號 : **ACB-171229-01A**

頁次 : **3 of 4**

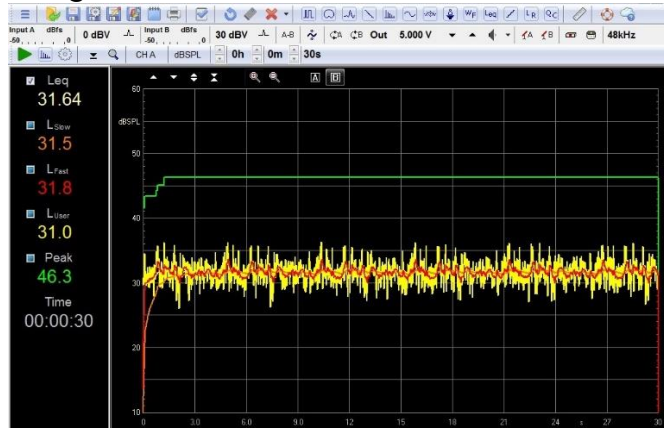
### 3.2 Acoustical Isolation Ability

$$86.93 \text{ dB} - 35.64 \text{ dBA} = 55.1 \text{ dBA} \geq 45 \text{ dBA}$$

#### A. Reference Sound Source Pink Noise Spectrum Level **86.74 dB**



#### B. Close Door Inside Background Noise Level **31.64 dBA**



#### C. 1/3 Octave pure tone isolation ability(20Hz~20kHz)

