



MODEL NO : OBO-36016F-02

Features:Conformity RoHS Directive(2002/95/EC) Requests.

### 1. General Specifications ※1

Items	Spec.
Magnet	Materials NDFEB Size: $\Phi$ 12.5*1.5mm
Weight	Approx 8.3Grams
Nominal Impedance	16 Ohm $\pm$ 15% at 1200Hz/1.0V
Power Rating	Normal 0.5W. Maximum1.0W.
Lowest Resonant Frequency	530 $\pm$ 150Hz.
Output Sound Pressure Level (S.P.L)	85 $\pm$ 3dB /0.5W/0.5Meter Average at 1000,1200,1500,2000Hz.
Frequency Range	350 ~ 11000 Hz. Average SPL -10dB.
Distortion	5% Maximum At 1000Hz 0.5W
Abnormal Sound Test	Must be Normal Tested by 2.83Volts. Sine Wave
Polarity	Diaphragm shall move Forward when Apply a Positive DC Current to the "+" or "Marked" Terminal.
Operating Temperature	-25°C to +50°C
Storage Temperature	-25°C to +55°C

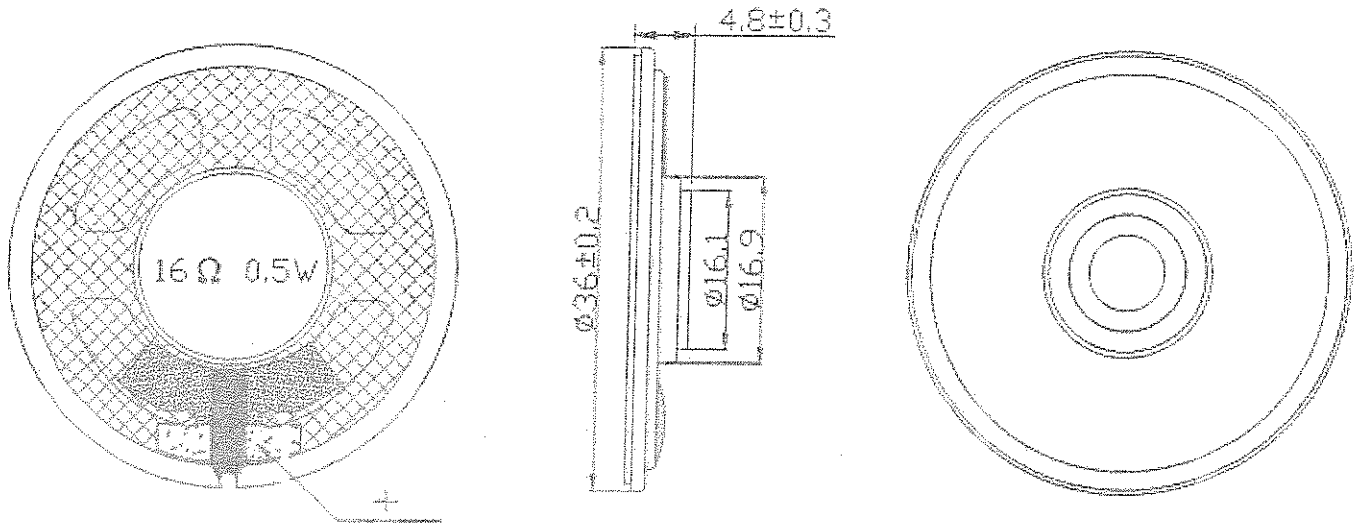
### 2. Environmental Test

Humidity Test	Temperature:	+40°C $\pm$ 3°C	
	Relative Humidity:	90% ~ 95%	
	Duration:	96 Hours	
	Duration of recovery:	6 Hours	
Temperature Cycle Test	Low Temperature:	-25°C $\pm$ 3°C	
	High Temperature:	+55°C $\pm$ 3°C	
	Duration of recovery:	1 Hours	
	Duration of Transfer Time:	Less Than 5 to 7Minutes	
	Cycle:	3 Cycles	
	Duration of Exposure :	1Hour	
Vibration Test	Vibration Direction:	3 axes	
	Mounting:	Unit Shall Be Rigidly Restrained On The Table	
	Frequency:	1,000 Cycle/Minute	
	Amplitude:	1.5m/m	
	Endurance:	1 Hour in Each Plane	
	Duration of Transfer Time:	Less Than 5Minutes	
Load Test	White Noise With Weighted Filter 2.83 Volts.(RMS) 96 Hrs. 20~20,000Hz Resonant Frequency.		
Drop Test	75cm Free Falling On Counter Floor, with 10 times.		

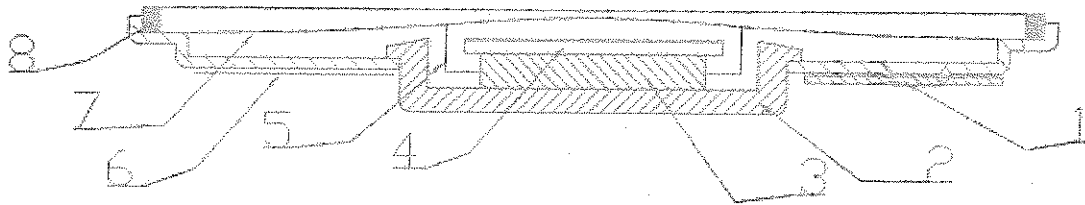
### 3. Mechanical Layout And Dimension

#### 3.1 Dimension.

Unit: mm Tol: ±0.5



#### 3.2 Speaker Construction.

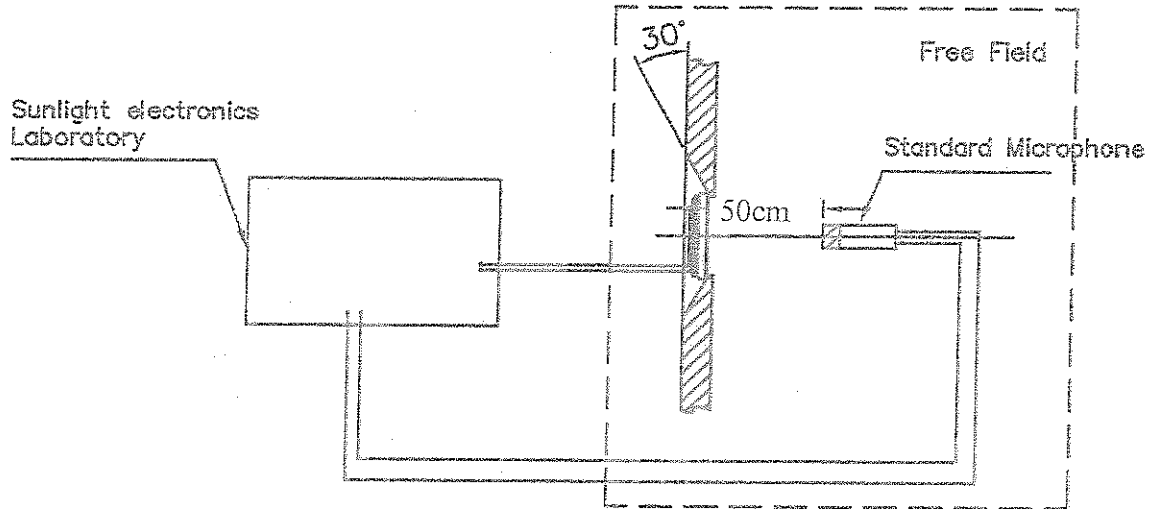


NO	PART NAME	MATERIAL	Q'TY
10			
9			
8	GASKET	ABS	1
7	DIAPHRAGM	MYLAR	1
6	CLDTH	CLDTH	1
5	VOICE COIL	DIA 13.25mm	1
4	WASHER	SPCC	1
3	MAGNET	NdFeB	1
2	YOKE	SPCC	1
1	TERMINAL	P.C.B	1
NO	PART NAME	MATERIAL	Q'TY

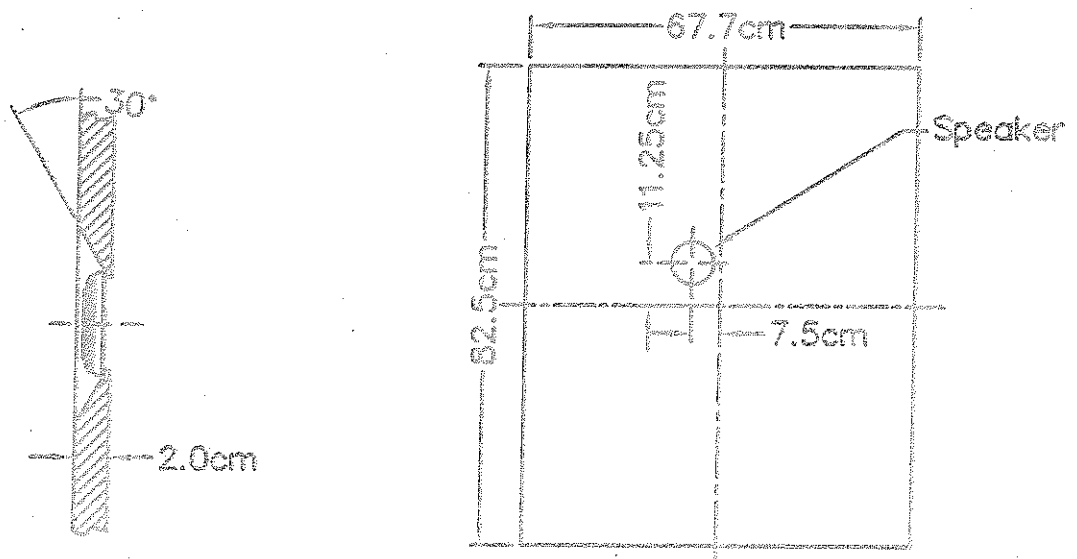
4. Test Method

4.1 Measurement Diagram

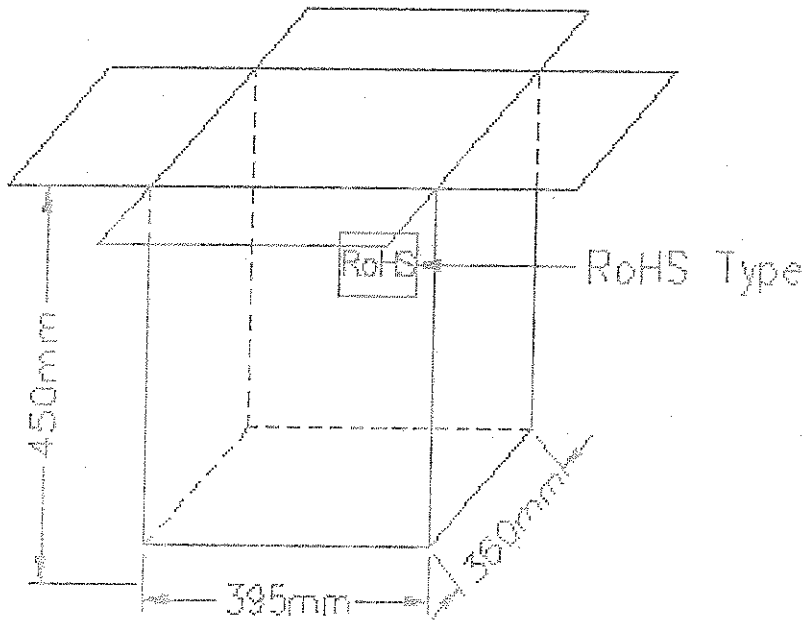
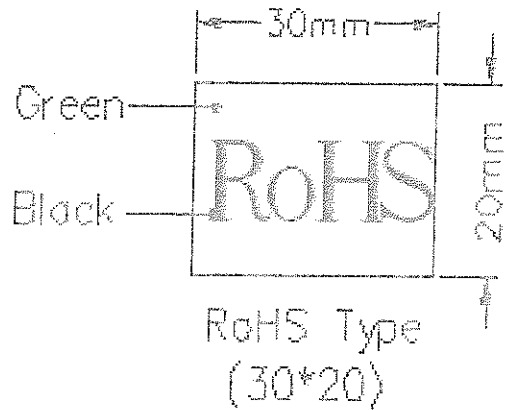
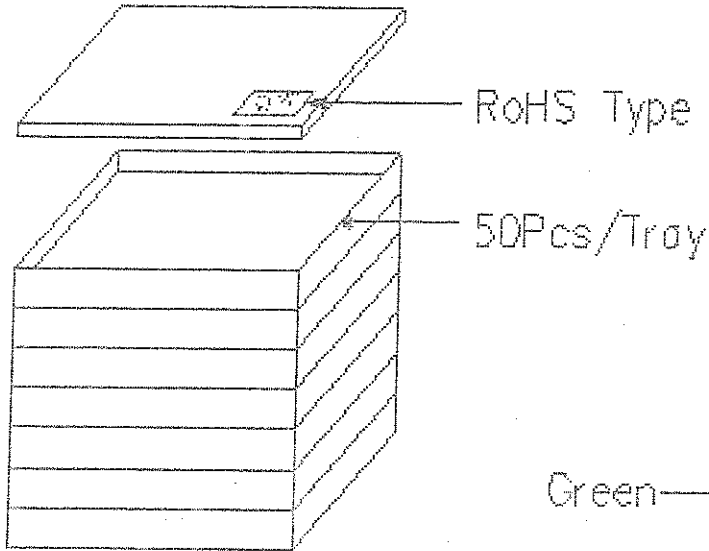
Electroacoustic  
Testing Adapter



4.2 Standard Baffle

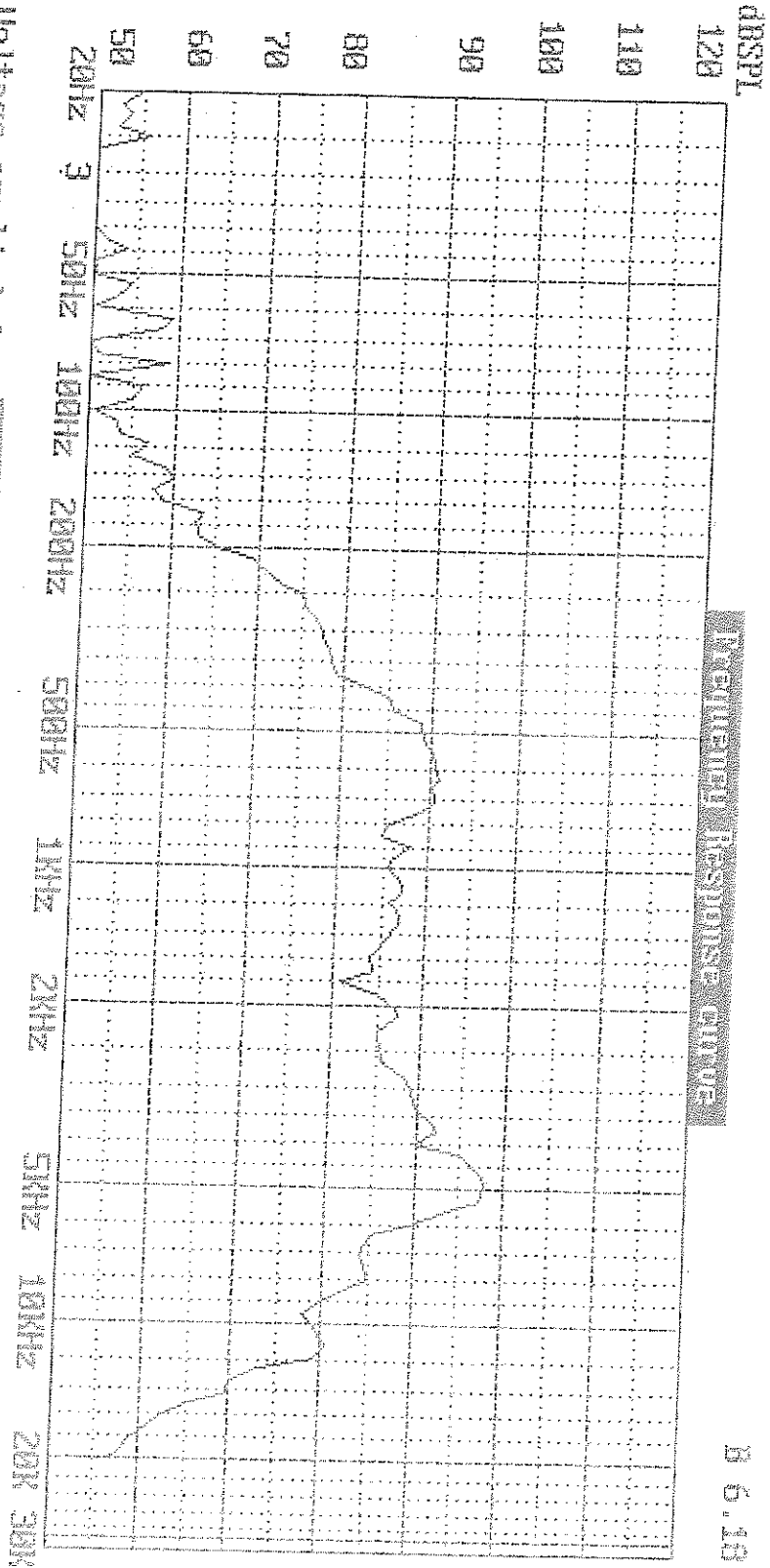


5.PACKING



1250Pcs/Carton  
25Troy(395\*360\*450mm)

Firm: Model:  
 1000Hz Sens = 05.70dB SPL Pass F.R.: Pass DATE: 12-14-2012 TIME: 06:13:09  
 Average SPL: 05.0dB SPL Pass (1000; 1200; 1500; 2000Hz) DCR: 49.5M Pass Sweep Speed: 1/12 Oct.



Voltage applied for **DAT** = 2.830V **Start F** = 20Hz  
 Measuring Distance = 0.50M **Stop F** = 20000Hz

Mfg.: Measured using Sunlight 1600; Fax: 886-2-22230727