

# OBO Pro 2

## SPECIFICATIONS

MODEL NO  
OBO-40008F-03

PART NAME  
DYNAMIC SPEAKER

OBO PART NAME SHEET  
2011 10 OF 6

文件發行證

### ALTERNATION HISTORY

Marking	Date	ECN NO.	REV.	Description	Page	PREPARE BY	APPROVE BY
※ 1	JAN,09,06	0601001	D	.Conformity RoHS Directive(2002/95/EC) Requests.	6	簡沛玲	蕭可致
※ 2	MAR,16,11	DG1103001	E	1.Change Packing	6	李小蓮	Joym

REV.	DATE	PREPARED BY	CHECKED BY	APPROVED BY
E	MAR,16,2011	李小蓮	蕭可致	Joym 3/21

**OBO Pro.2****SPECIFICATIONS**MODEL NO  
OBO-40008F-03PART NAME  
DYNAMIC SPEAKEROBO SHEET  
2 OF 6  
2011.08.27

文件发行章

MODEL NO : OBO-40008F-03

Features:Conformity RoHS Directive(2002/95/EC) Requests.  $\times$  1

## 1. General Specifications

Items	Spec.
Magnet	Materials NDFEB Size: $\Phi$ 12.5*1.5mm
Weight	Approx 9.45Gram
Nominal Impedance	8 Ohm $\pm$ 15% At 1000Hz/1.0V
Power Rating	Normal 0.5W. Maximum 1.0W.
Lowest Resond Frequency	550 $\pm$ 150Hz
Output Sound Pressure Level (S.P.L)	84 $\pm$ 3 dB/0.5W/0.5M Average at 1000,1200,1500,2000Hz.
Frequency Response Range	350~5800Hz SPL-10dB
Abnormal Sound Test	Must be Normal Tested by 2.0Volts. Sine Wave.
Polarity	Diaphragm shall move Forward when Apply a Positive DC Current to the "+" or "Marked" Terminal.
Operating Temperature	-25 $^{\circ}$ C TO +50 $^{\circ}$ C
Storage Temperature	-25 $^{\circ}$ C TO +55 $^{\circ}$ C

## 2. Environmental Test

Humidity Test	Temperature:	+40 $^{\circ}$ C $\pm$ 3 $^{\circ}$ C
	Relative Humidity:	90% ~ 95%
	Duration:	96 Hours
	Duration of recovery:	6 Hours
Temperature Cycle Test	Low Temperature:	-25 $^{\circ}$ C $\pm$ 3 $^{\circ}$ C
	High Temperature:	+55 $^{\circ}$ C $\pm$ 3 $^{\circ}$ C
	Number of Cycle:	3Cycles
	Duration of Transfer Time	Less Than 1 Hours.
Load Test	White Noise With Weighted Filter 2.0Volts.(RSM) 100 Hrs 20~20,000Hz Resonant Fequency.	
Drop Test	75cm Free Falling On Counter Floor,10 Times.	
Vibration Test	Vibration Direction:	3 axes
	Frequency:	1,000 Cycle/Minute
	Amplitude:	1.5m/m
	Endurance:	1 Hour in Each Plane
	Duration of Transfer Time:	Less Than 5 Minutes

# OBO Pro.2

## SPECIFICATIONS

MODEL NO  
OBO-40008F-03

PART NAME  
DYNAMIC SPEAKER

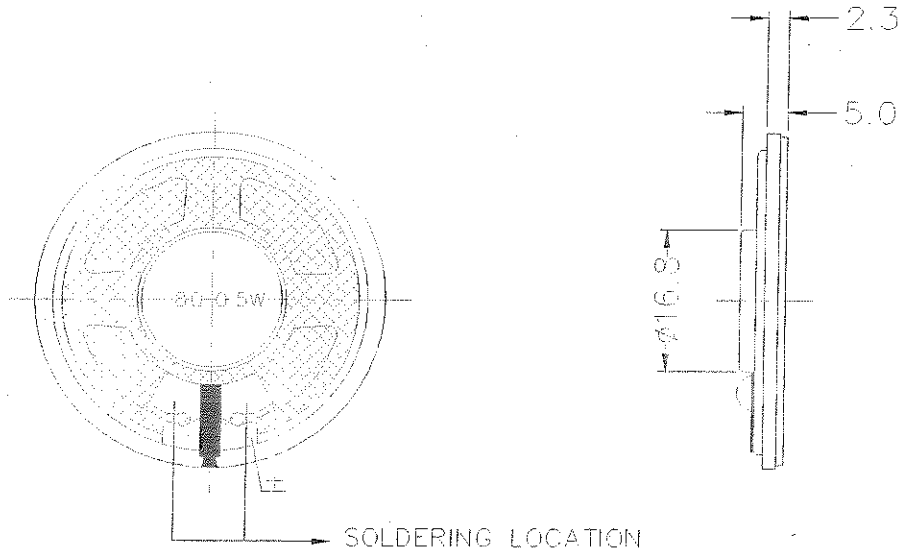
SHEET  
OBO PRO.2 INC.  
3 OF 6

2011.08.22

文件发行章

### 3. Appearance Drawing

Unit: mm Tolerance:±0.3

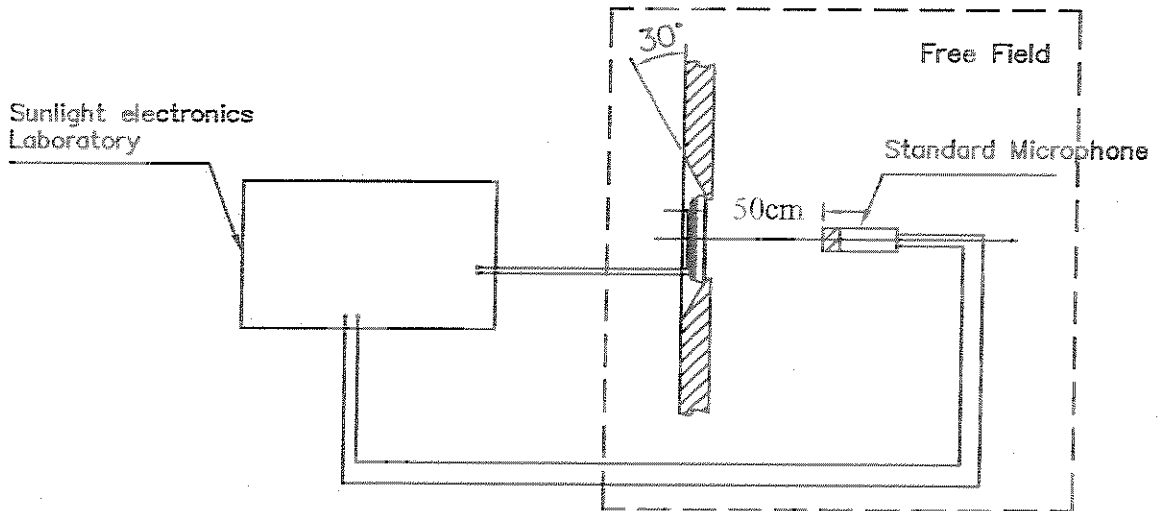


※ 1 PCB Soldering Temperature 280°C~320°C Max for 3 seconds

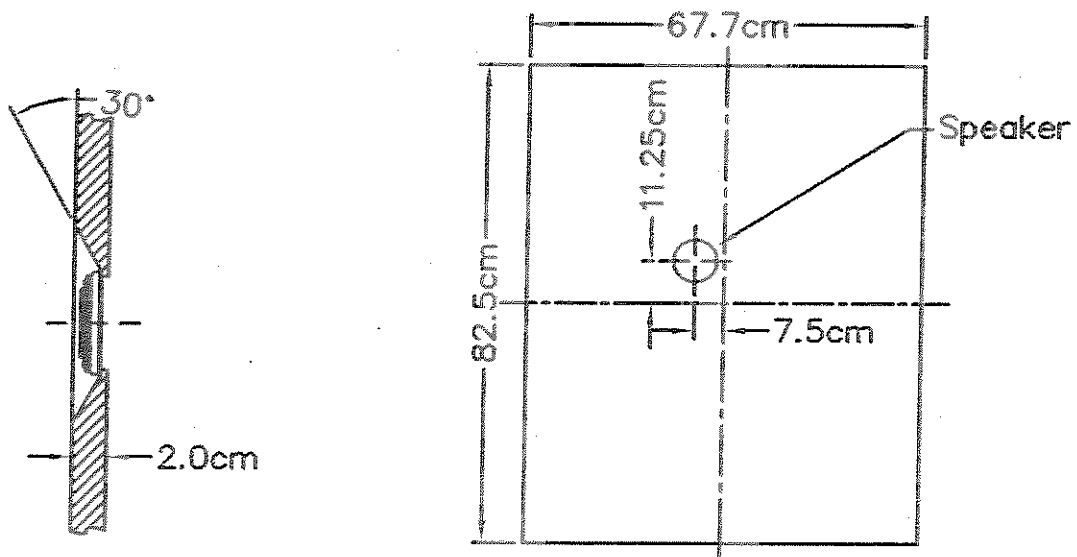
### 4. Test Method

#### 4.1 Measurement Diagram

Electroacoustic  
Testing Adapter



#### 4.2 Standard Baffle



**OBO Pro.2**

**SPECIFICATIONS**

MODEL NO  
OBO-40008F-03

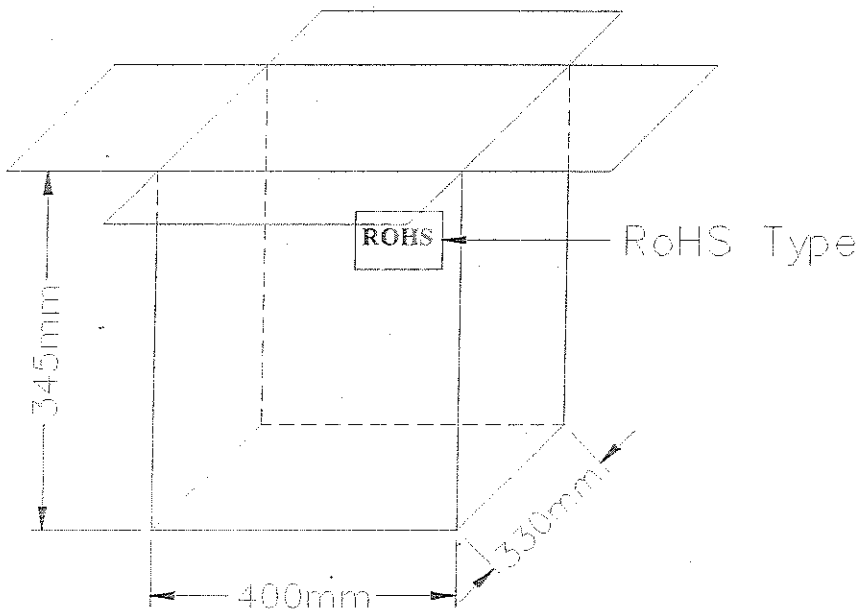
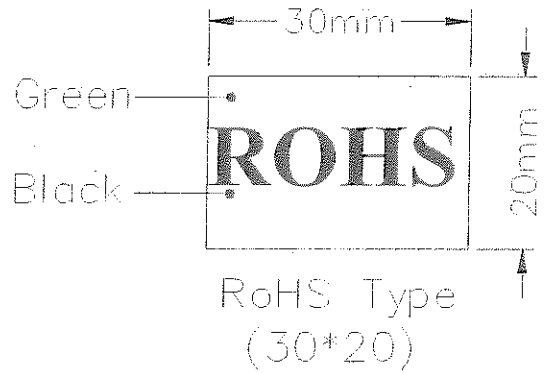
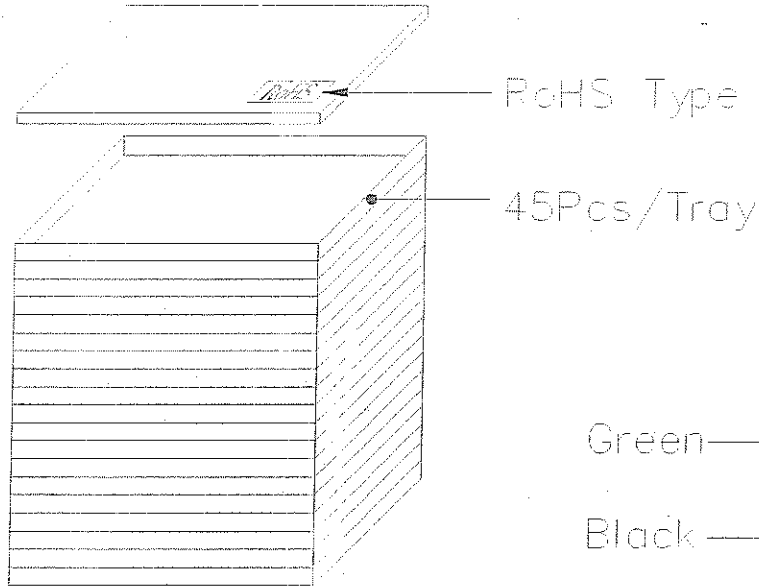
PART NAME  
DYNAMIC SPEAKER

SHEET  
5 OF 6

2011.08.22

文件发行章

5. PACKAGING  $\times 2$



900Pcs/Carton  
20Tray(400\*330\*345mm)

# OBO Pro.2

## SPECIFICATIONS

MODEL NO  
OBO-40008F-03

PART NAME  
DYNAMIC SPEAKER

OBO SHEETING  
6 OF 6  
2011-11-22

文件发行章

### 6. Fequency.

