

OBO Pro.2

SPECIFICATIONS

MODEL NO

OBO-40032F-01

PART NAME
DYNAMIC SPEAKEROBO PART INC.
SHEET
202 OF 26

文件发行章

MODEL NO : OBO-40032F-01

Features: Conformity RoHS Directive(2002/95/EC) Requests: ≈ 1

1. General Specifications

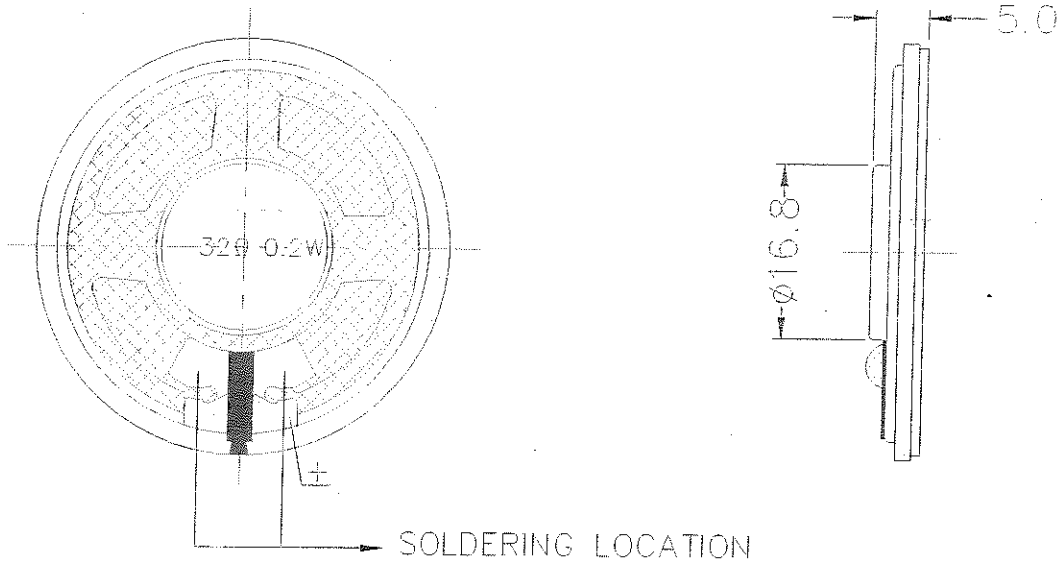
Items	Spec.
Magnet	Materials NDFEB Size: $\Phi 12.5 * 1.5\text{mm}$
Weight ≈ 1	Approx 9.5Gram
Nominal Impedance	32 Ohm $\pm 15\%$ At 1000Hz/1.0V
Power Rating	Normal 0.2W. Maximum 0.5W.
Lowest Resond Frequency	560 $\pm 150\text{Hz}$
Output Sound Pressure Level (S.P.L)	80 ± 3 dB/0.2W/0.5M Average at 1000,1200,1500,2000Hz.
Frequency Response Range	320~65,000Hz SPL-10dB
Abnormal Sound Test	Must be Normal Tested by 2.53Volts. Sine Wave.
Polarity	Diaphragm shall move Forward when Apply a Positive DC Current to the "+" or "Marked" Terminal.
Operating Temperature	-25°C TO +50°C
Storage Temperature	-25°C TO +55°C

2. Environmental Test

Humidity Test	Temperature:	+40°C ± 3 °C
	Relative Humidity:	90% ~ 95%
	Duration:	96 Hours
	Duration of recovery:	6 Hours
Temperature Cycle Test	Low Temperature:	-25°C ± 3 °C
	High Temperature:	+55°C ± 3 °C
	Number of Cycle:	3Cycles
	Duration of Transfer Time	Less Than 1 Hours.
Load Test	White Noise With Weighted Filter 2.53Volts.(RSM) 100 Hrs 20~20,000Hz Resonant Fequency.	
NaCl liquor Concentration	5% PH6.7~7.2/12 Hrs ≈ 1	
Vibration Test	Vibration Direction:	3 axes
	Frequency:	1,000 Cycle/Minute
	Amplitude:	1.5m/m
	Endurance:	1 Hour in Each Plane
	Duration of Transfer Time:	Less Than 5 Minutes

3. Appearance Drawing

Unit: mm Tolerance:±0.3

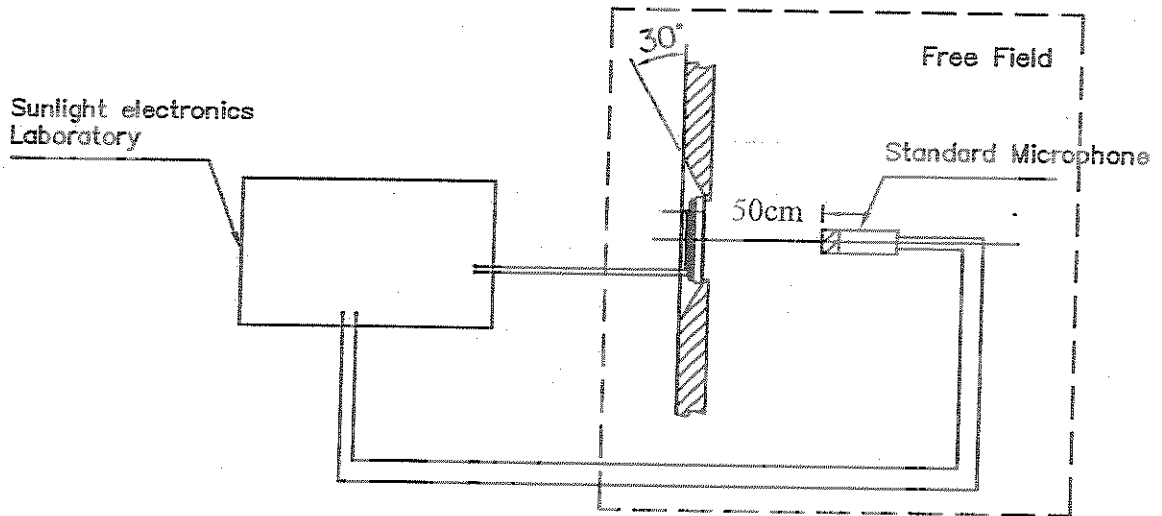


PCB Soldering Temperature $280^{\circ}\text{C} \sim 320^{\circ}\text{C}$ Max for 3 seconds

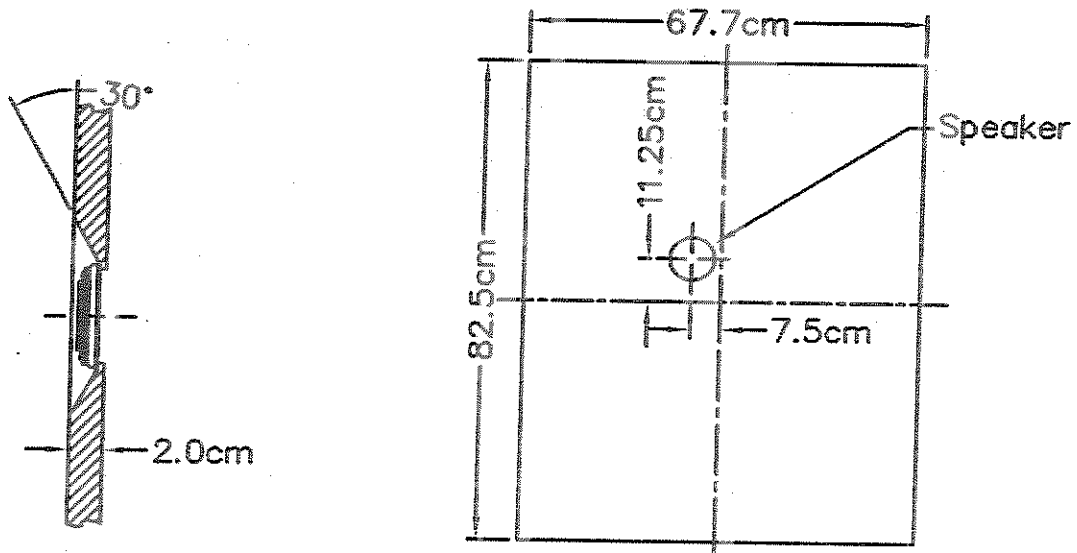
4. Test Method ☒ 1

4.1 Measurement Diagram

Electroacoustic
Testing Adapter



4.2 Standard Baffle



OBO Pro.2

SPECIFICATIONS

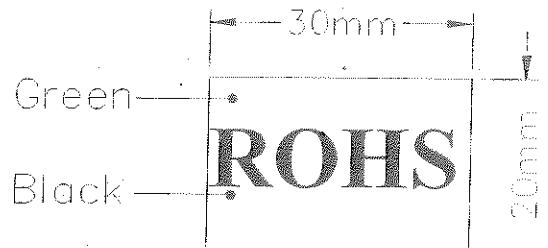
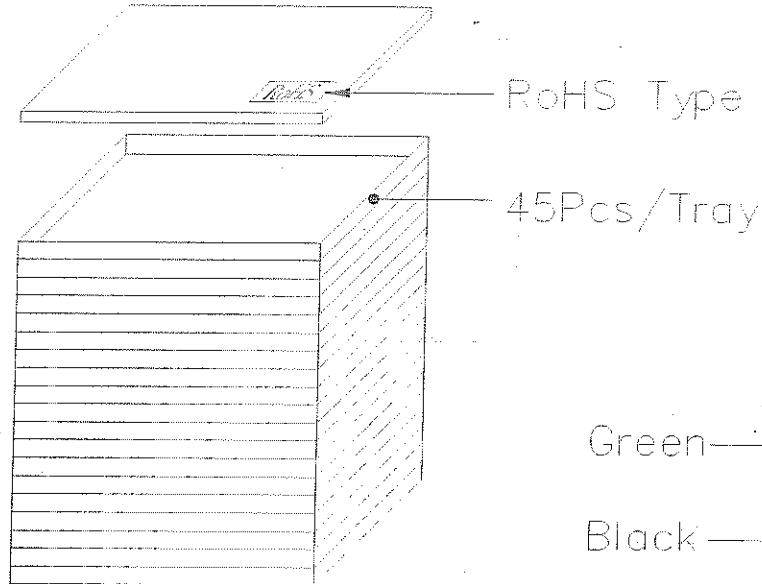
MODEL NO
OBO-40032F-01

PART NAME
DYNAMIC SPEAKER

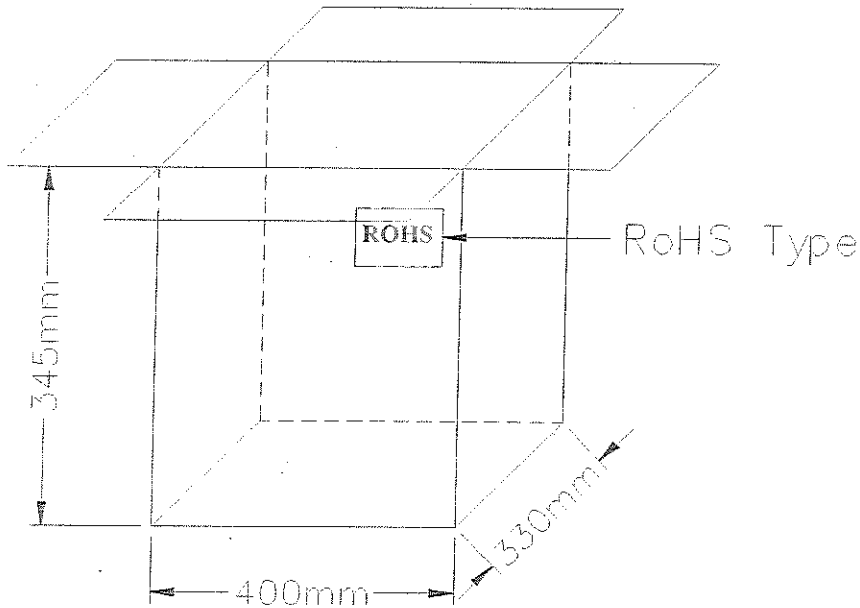
OBO SHEET NO
5 OF 6

文件表

5. PACKAGING ※:2



RoHS Type
(30*20)



900Pcs/Carton
20Tray(400*330*345mm)

OBO Pro.2

SPECIFICATIONS

MODEL NO
OBO-40032F-01

PART NAME
DYNAMIC SPEAKER

SHEET
OBO PRA 2 INC
6 OF 6

2014.08.22

文件发行

6. Frequency

Mode: SSR

22-FRH-2006 11:22:19

